

# Staticmaster®

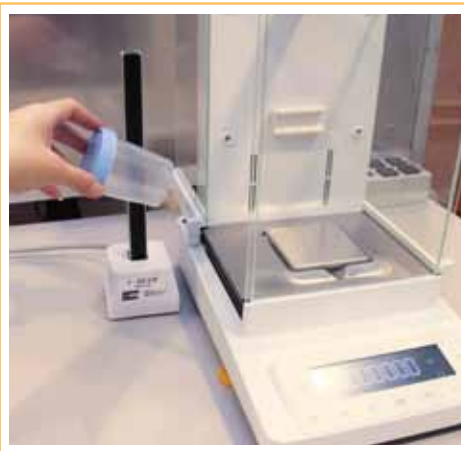
## I-Beam Stand Ionizer Kit

(Model 6105 with Model 6010)

### WHY IONIZE?

At NRD we understand that static charge is one of the leading causes of inaccurate reading when using a precision balance. Static electricity and the need to weigh fine materials and powders in a laboratory environment do not make good partners. Most labs have a low humidity level which encourages the development of static, and can have a significant impact on the accuracy of your measurements.

NRD, a leader in the static control industry for over 40 years has introduced a complete line of alpha and electrical ionization products designed to eliminate the challenges of static. By introducing a stream of ions and eliminating static, you will ensure that the product stays in place and you will get accurate weighs every time.



Model 6106



Model 6010

Model 6105



The NRD Model 6105 Stand Ionizer is the perfect solution for removing static charge on larger or irregular shaped objects when a fan ionizer cannot be used because of fine powders or other elements. The 6105 is used outside the weigh chamber and allows varying size objects to be passed in front of the unit to eliminate any static charge.

The Model 6105 is powered electrically providing an alternative to alpha technology. It provides a "shockless" solution and is powered by our Model 6010 power supply. The 6105 can be used in a wide variety of applications; from removing static charges from fine powders, filters, and other media that might "fly away" with the use of an ionizing blower, to removing charge from irregular shaped items such as weigh boats, glassware, and other larger specimens and samples.

Additional "I-Beams (Model 6106) can be purchased separately.

2937 Alt Boulevard, PO Box 310, Grand Island, NY 14072-0310

Toll Free: 800 . 525 . 8076 | P: 716 . 773 . 7634 | F: 716 . 773 . 7744 sales@NRDinc.com www.NRDPrecisionWeigh.com

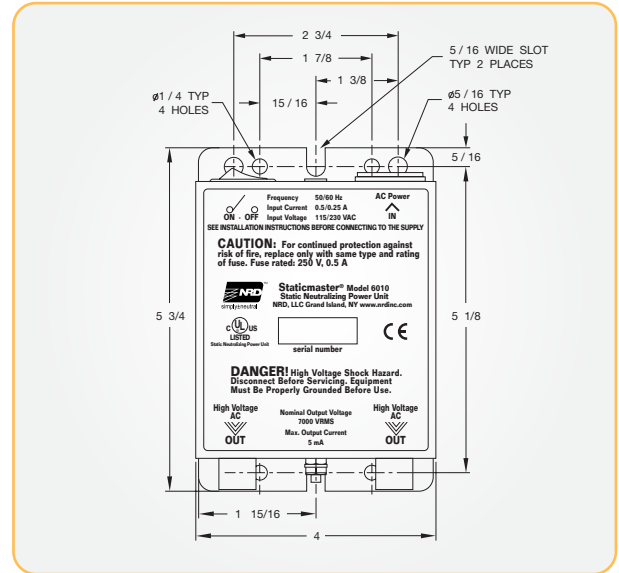
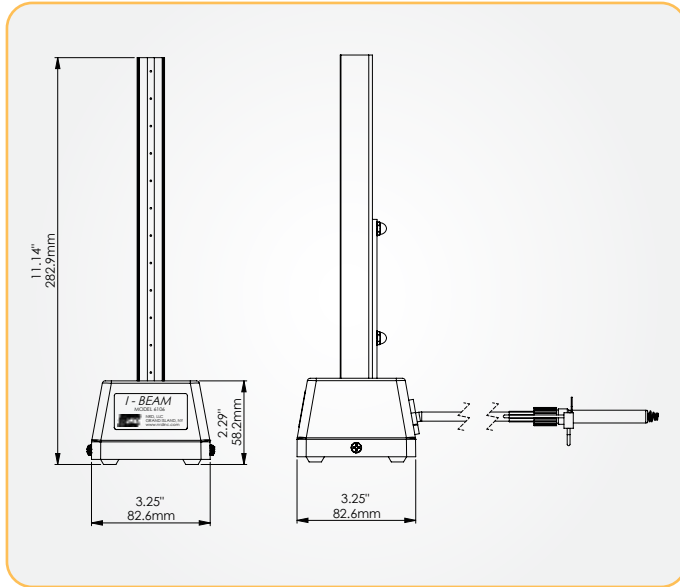


**NOTICE:** NRD warrants that these materials are reasonably fit for the purpose described. We believe that specifications and technical information presented are based on test methods that produce accurate results. The foregoing limited warranty is expressly made in lieu of, and no other express and no implied warranty of merchantability or fitness for a particular purpose is made. NRD, LLC will not be liable for incidental, consequential, special, exemplary or punitive damages. The limited warranty will not apply to defects or damage due to accidents, neglect, misuse, alterations, error or failure to properly maintain, clean or repair products.

6105, 6106, 6010 9/14

# Staticmaster®

I-Beam Stand Ionizer Kit  
(Model 6105 with Model 6010)



## Model 6010 Power Supply Specifications

- TYPE:** High Voltage, AC transformer
- INPUT VOLTAGE:** 115 or 230 VAC selectable
- FREQUENCY:** 50/60Hz
- OUTPUT VOLTAGE:** 7.0kV
- INPUT CURRENT:** 0.5/0.25A
- OUTPUT CURRENTS:** 5mA
- LINE CORD:** 6' detachable with US 3 prong grounded plug
- WEIGHT:** 5.75lbs.
- DIMENSIONS:** Width: 4"; Height: 3.5"; Length: 5.75"
- CERTIFICATIONS:** CE, cUL US

STATICMASTER I-BEAM AVERAGE DECAY TIME (SECONDS)		
Distance in Inches	Average Positive Decay Time (sec)	Average Negative Decay Time (sec)
3"	0.26	0.29
6"	4.85	5.17
9"	53.60	42.72

