

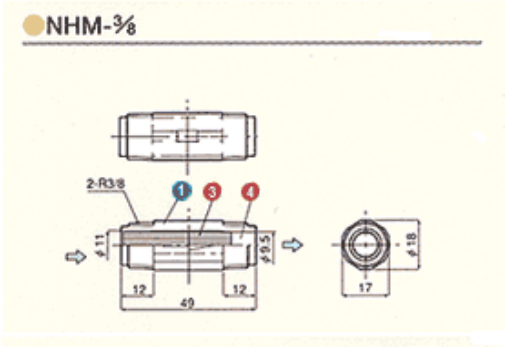
PTEC™ Filters - FL0030
 IN6430 Ionizing Gun Filters



Micro Filtration for Compressed Air and Gases for the PTECH IN6430 series Ionizing Nozzles

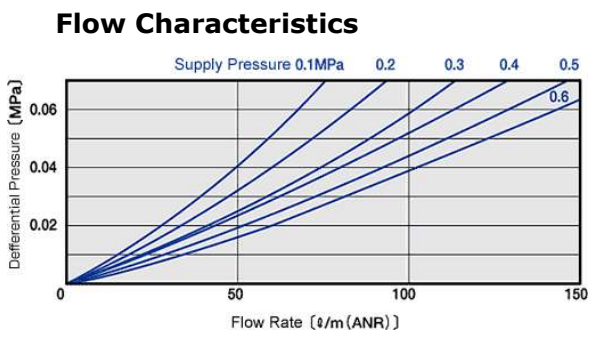
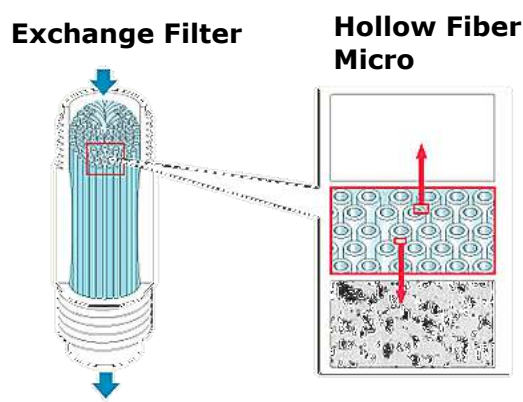
Use the FM0030 micro filter to ensure clean ionized air with the PTECH IN6430 ionizers from Transforming Technologies. The FM0030 micro filter features a hollow fiber membrane that provides excellent filtration and has a long service life. The compact design is easy to install and comes with screw on connections for fast replacement. All materials used are compatible for the most stringent applications.

Material Characteristics



- NHM-3/8
- 1 Case: Nylon66 + Glass Fiber
- 2 Filter Media: Polycarbonate
- 3 Potting: Polypropylene

- Features**
- Air Filter for the PTECH IN6430
 - 0.01µm Hollow Fiber Micro Filter
 - Excellent Particle Removal Efficiency
 - Compact and Light Weight
 - Quick and Convenient Filter Change
 - Used in Precision Measuring Instruments, Analysis Equipment, Printing, Painting, Medical, Dental and Food Processing Equipment.



This document is prepared for our customers as a service, and is to the best of our knowledge true and accurate. However, it is understood and agreed by the users of this document that we will accept no liability for the conclusions reached. Users of this document may therefore wish to perform additional testing before determining that products mentioned are suitable.