

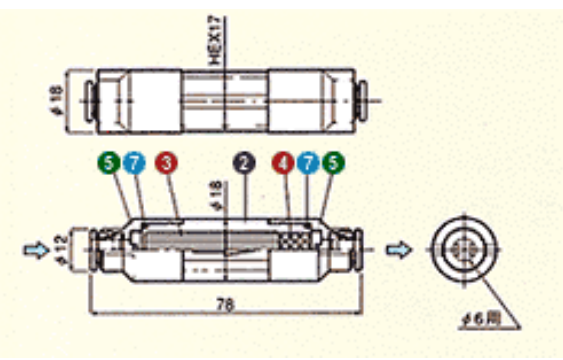
PTEC™ Filters - FL0020
 AirFlex Ionizing Nozzle Filters



Micro Filtration for Compressed Air and Gases for the AirFlex IN4000 series Ionizing Nozzles

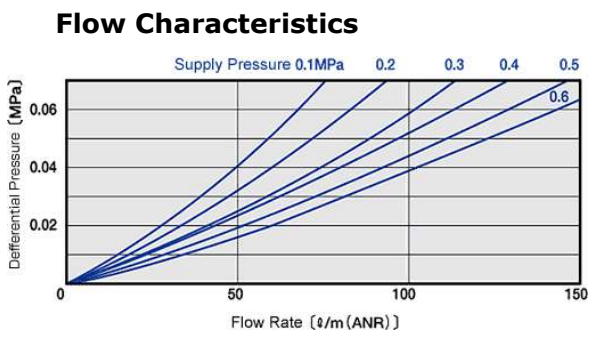
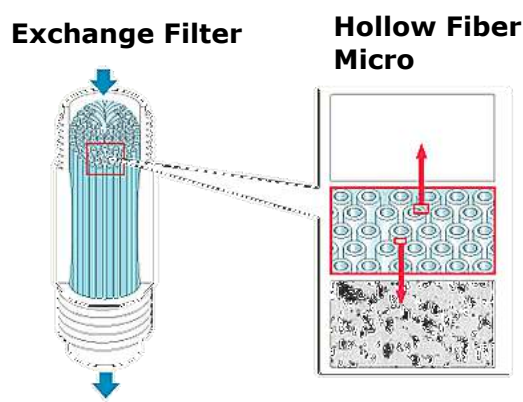
Use the FM0020 micro filter to ensure clean ionized air with the AirFlex ionizers from Transforming Technologies. The FM0020 micro filter features a hollow fiber membrane that provides excellent filtration and has a long service life. The compact design is easy to install and comes with quick release connections for fast replacement. All materials used are compatible for the most stringent applications.

Material Characteristics



- 1 Case Nylon66 + Glass Fiber
- 2 Case Polycarbonate
- 3 Filter Media Polypropylene
- 4 Potting polyurethane
- 5 Connection 6mm, PBT+Stainless Steel
- 7 O-Ring NBR

- Features**
- Air Filter for the Airflex Ionizers
 - 0.01µm Hollow Fiber Micro Filter
 - Excellent Particle Removal Efficiency
 - Compact and Light Weight
 - Quick and Convenient Filter Change
 - Used in Precision Measuring Instruments, Analysis Equipment, Printing, Painting, Medical, Dental and Food Processing Equipment.



This document is prepared for our customers as a service, and is to the best of our knowledge true and accurate. However, it is understood and agreed by the users of this document that we will accept no liability for the conclusions reached. Users of this document may therefore wish to perform additional testing before determining that products mentioned are suitable.